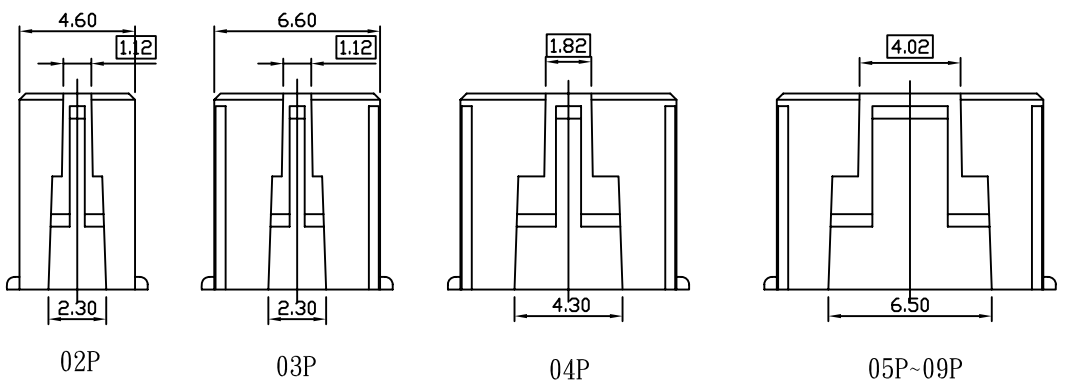
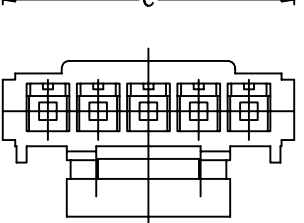
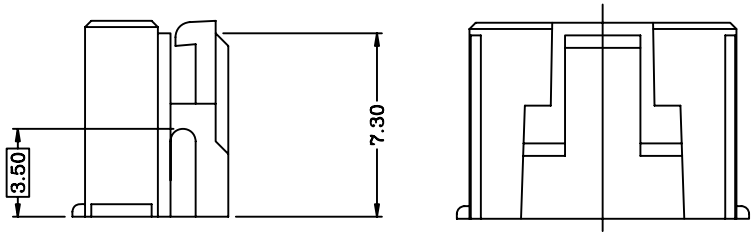
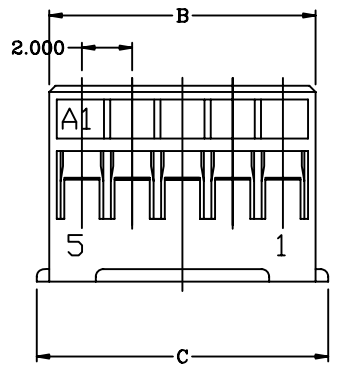
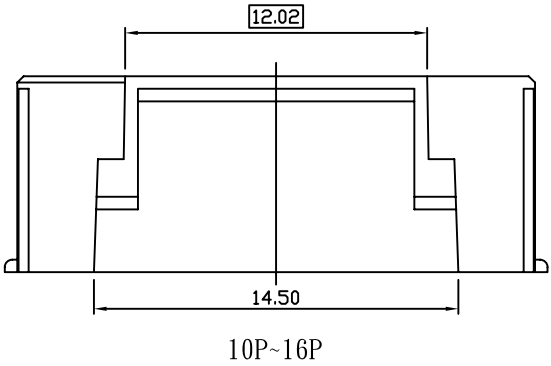
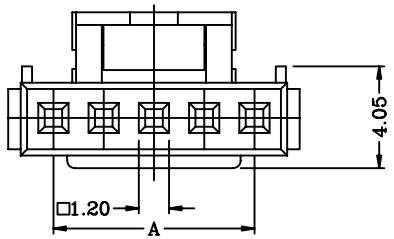


REV.	ECN NO.	DESCRIPTION	DATE	DESIGN
A				



Specifications:  
 Current rating:3A AC/DC.  
 Voltage rating:250V AC/DC  
 Temperature range:-40°C~+105°C.  
 Contact resistance:30MΩ Max.  
 Insulation resistance:1000MΩ Min.  
 Withstanding voltage: 1000V AC/minute.  
 Material:PA66.UL94V-0.



PART NO.	Dimensions		
	A	B	C
A2008H-02P	2.00	4.60	5.60
A2008H-03P	4.00	6.60	7.60
A2008H-04P	6.00	8.60	9.60
A2008H-05P	8.00	10.60	11.60
A2008H-06P	10.00	12.60	13.60
A2008H-07P	12.00	14.60	15.60
A2008H-08P	14.00	16.60	17.60
A2008H-09P	16.00	18.60	19.60
A2008H-10P	18.00	20.60	21.60
A2008H-11P	20.00	22.60	23.60
A2008H-12P	22.00	24.60	25.60
A2008H-13P	24.00	26.60	27.60
A2008H-14P	26.00	28.60	29.60
A2008H-15P	28.00	30.60	31.60
A2008H-16P	30.00	32.60	33.60

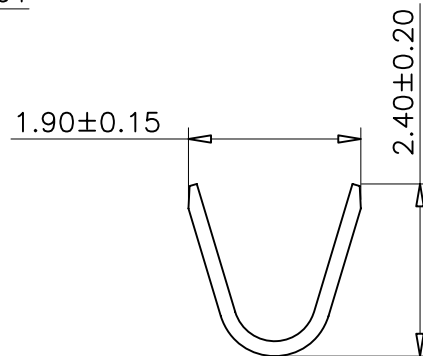
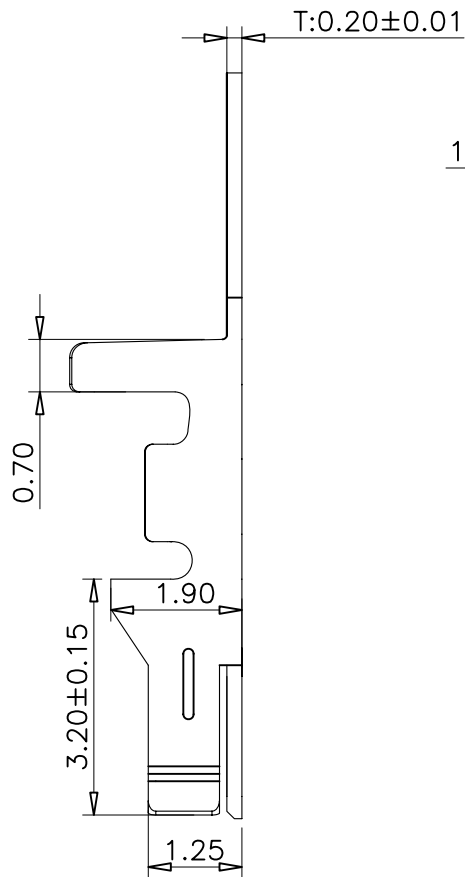
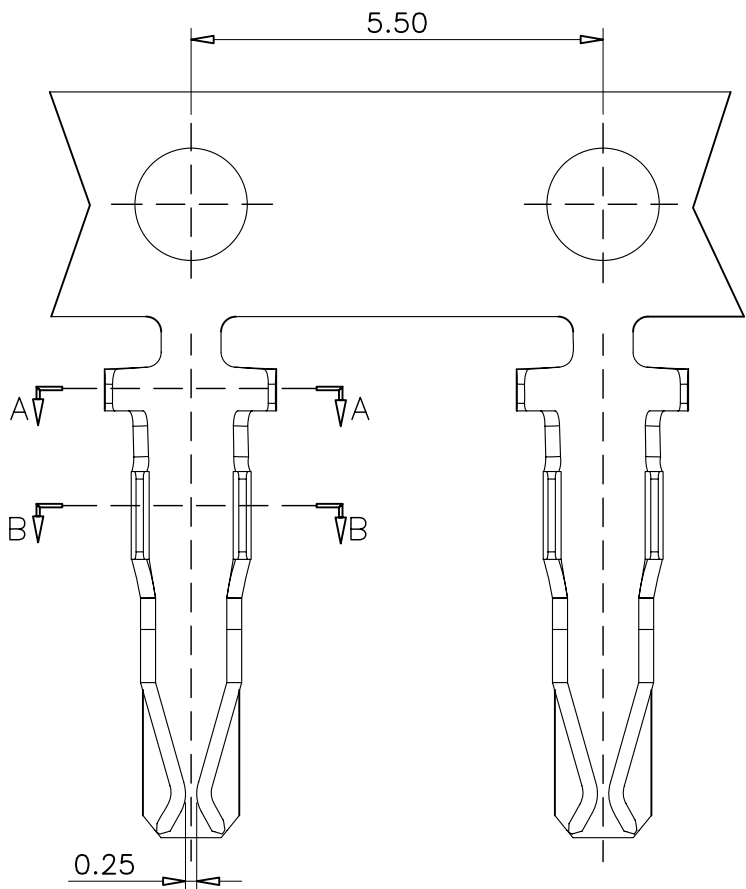
大于03P

DIM	TOL	DIM	TOL
X.	/	X*	/
X.X	0.25	X.X*	
X.XX	0.15	X.XX*	
X.XXX	0.10	X.XXX*	/

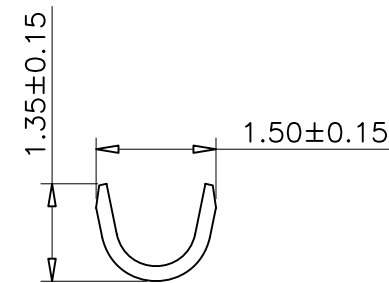
**CNJM** Joint More Precision electronics Co.,Ltd.

DRAW NO.	DATE	P/N NO.	DRAW NAME:
DESIGN: 陈雪峰	2017.06.03	A2008H-NP	2.0mm pitch housing
CHECK: 杨 焯			
REVIEW:		REV. A/1	SCALE 1:1
		UNIT: mm	SHEET 1 OF 1

REV.	ECN NO.	DESCRIPTION	DATE	DESIGN
A				



SECTION: (A-A)



SECTION: (B-B)

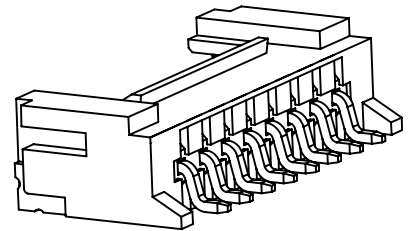
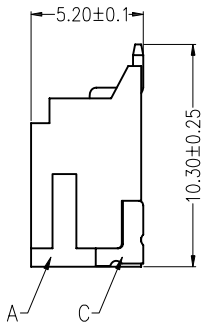
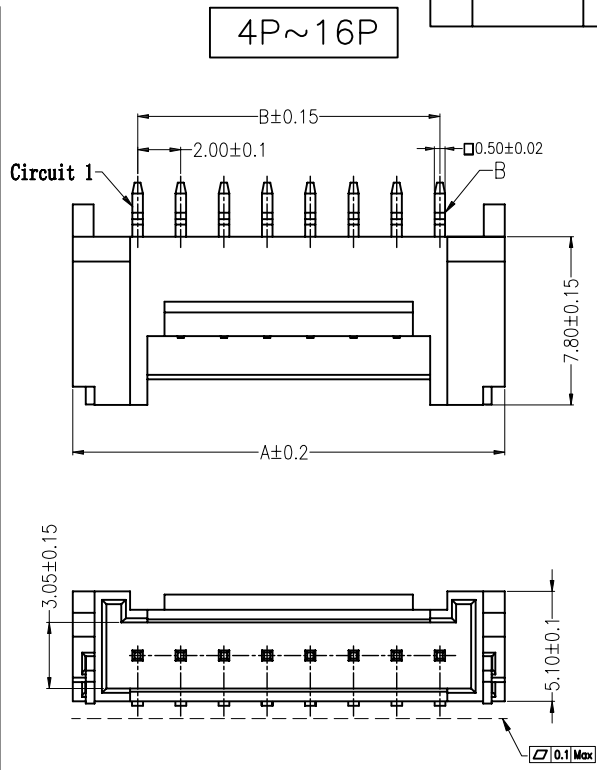
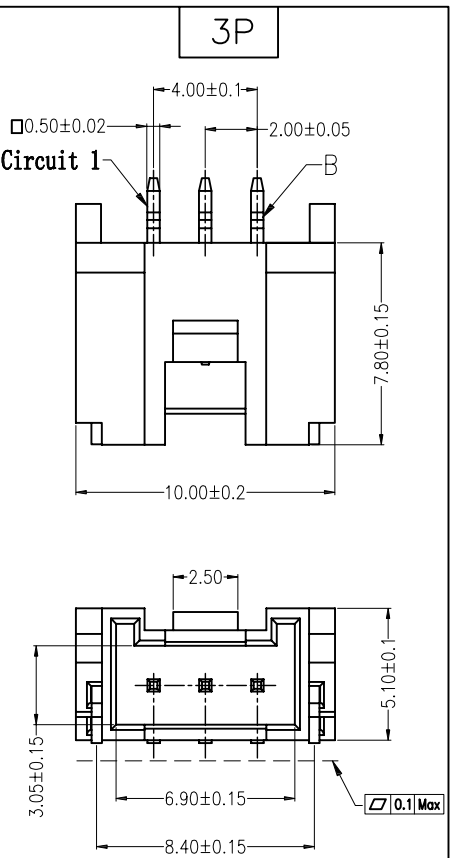
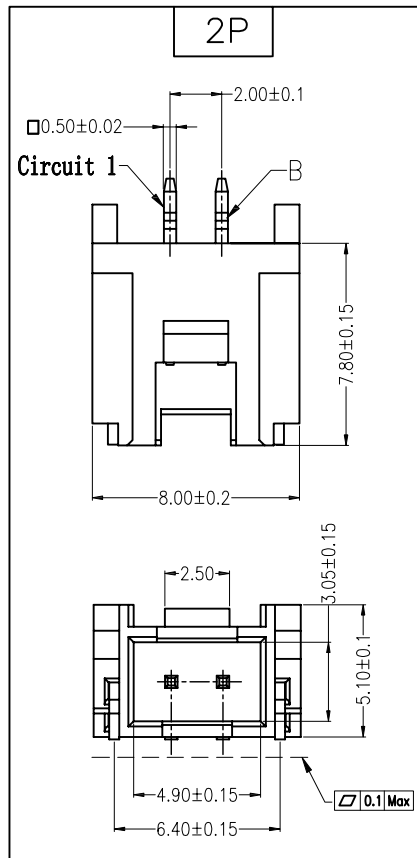
**CNJM** Joint More Precision electronics Co.,Ltd.

Part NO.	Wire range	Insulation O.D.	Materials	Finish	Qty/reel
A2008-TP	AWG#28-32	0.8mm(max)	Phosphor Bronze	Tin-plated	10000PCS
A2008-TPE	AWG#26-32	0.8mm(max)	Phosphor Bronze	Tin-plated	10000PCS

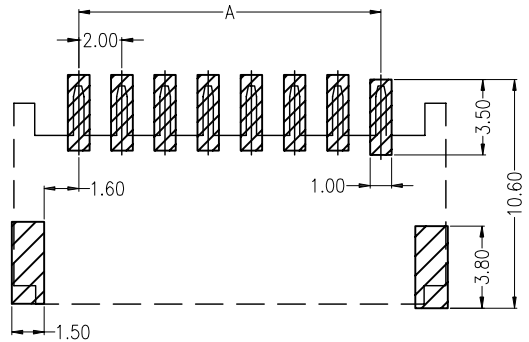
DIM	TOL	DIM	TOL
X.	/	X.	/
X.X	0.25	X.X'	/
X.XX	0.15	X.XX'	/
X.XXX	0.10	X.XXX'	/

DRAW NO.	DATE	P/N NO:	DRAW NAME:
DESIGN: 陈雪峰	2017.06.03	A2008-XXX	2.0mm pitch terminal
CHECK: 杨焱			
REVIEW:		REV. A/1	SCALE 1:1
		UNIT: mm	SHEET: 1 OF 1

REV.	ECN NO.	DESCRIPTION	DATE	DESIGN
A				



PART NO.	Dimensions(mm)	
	A	B
A2008WR-S-02P	8.00	2.00
A2008WR-S-03P	10.00	4.00
A2008WR-S-04P	12.00	6.00
A2008WR-S-05P	14.00	8.00
A2008WR-S-06P	16.00	10.00
A2008WR-S-07P	18.00	12.00
A2008WR-S-08P	20.00	14.00
A2008WR-S-09P	22.00	16.00
A2008WR-S-10P	24.00	18.00
A2008WR-S-11P	26.00	20.00
A2008WR-S-12P	28.00	22.00
A2008WR-S-13P	30.00	24.00
A2008WR-S-14P	32.00	26.00
A2008WR-S-15P	34.00	28.00
A2008WR-S-16P	36.00	30.00



P.C.B LAYOUT

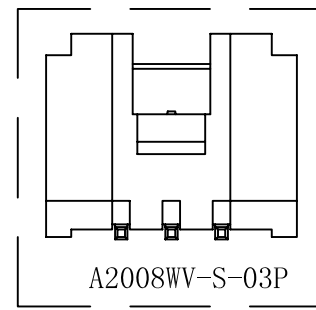
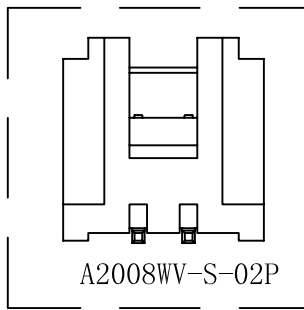
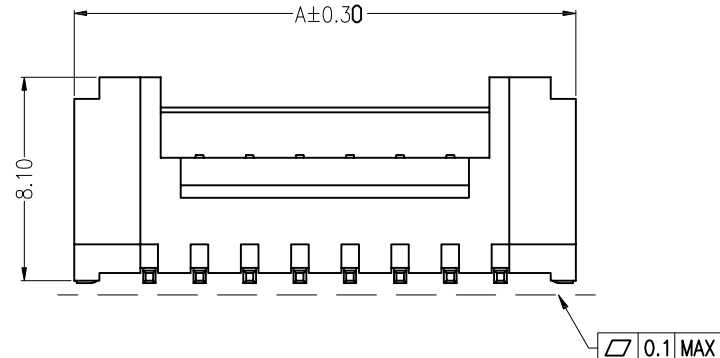
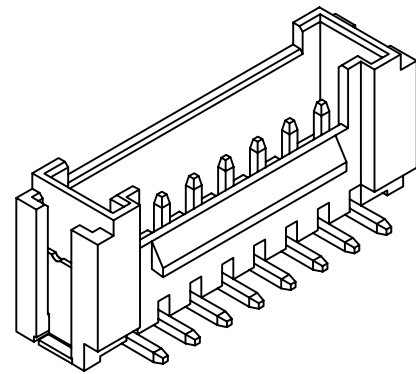
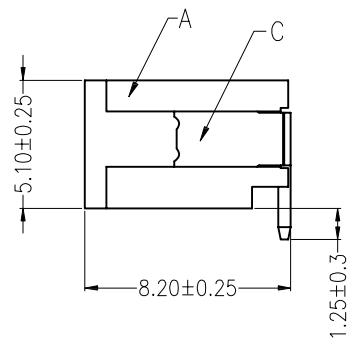
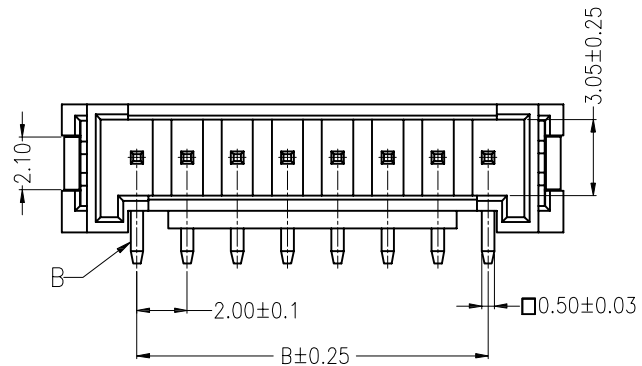
NOTES:  
 CURRENT RATING:3A AC/DC.  
 VOLTAGE RATING:250V AC/DC  
 TEMPERATURE RANGE:-40°C~+105°C.  
 CONTACT RESISTANCE:30MΩ Max.  
 INSULATION RESISTANCE:1000MΩ Min.  
 WITHSTANDING VOLTAGE: 1000V AC/MINUTE.  
 MATERIAL:LCP,UL94V-0.

**CNJM** Joint More Precision electronics Co.,Ltd.

DRAW NO.	DATE	P/N NO:	DRAW NAME:
DESIGN: 陈雪峰	2017.06.03	A2008WR-S-NP	2.0mm pitch wafer
CHECK: 杨 焯			
REVIEW:		REV.A/1	SCALE 1:1
		UNIT: mm	SHEET 1 OF 1

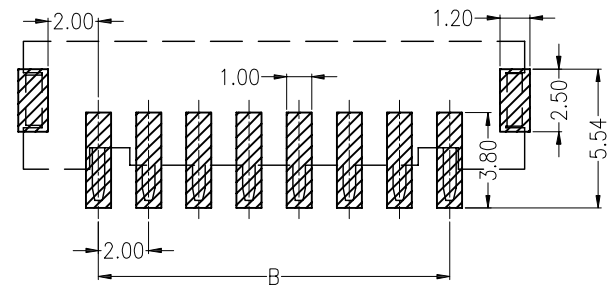
DIM	TOL	DIM	TOL
X.	/	X*	/
X.X	0.25	X.X*	
X.XX	0.15	X.XX*	
X.XXX	0.10	X.XXX*	/

REV.	ECN NO.	DESCRIPTION	DATE	DESIGN
A				



PART NO.	Dimensions(mm)	
	A	B
A2008WV-S-02P	8.00	2.00
A2008WV-S-03P	10.00	4.00
A2008WV-S-04P	12.00	6.00
A2008WV-S-05P	14.00	8.00
A2008WV-S-06P	16.00	10.00
A2008WV-S-07P	18.00	12.00
A2008WV-S-08P	20.00	14.00
A2008WV-S-09P	22.00	16.00
A2008WV-S-10P	24.00	18.00
A2008WV-S-11P	26.00	20.00
A2008WV-S-12P	28.00	22.00
A2008WV-S-13P	30.00	24.00
A2008WV-S-14P	32.00	26.00
A2008WV-S-15P	34.00	28.00
A2008WV-S-16P	36.00	30.00

NOTES:  
 CURRENT RATING:3A AC/DC.  
 VOLTAGE RATING:250V AC/DC  
 TEMPERATURE RANGE:-40°C~+105°C.  
 CONTACT RESISTANCE:30MΩ Max.  
 INSULATION RESISTANCE:1000MΩ Min.  
 WITHSTANDING VOLTAGE: 1000V AC/MINUTE.  
 MATERIAL:LCP.UL94V-0.



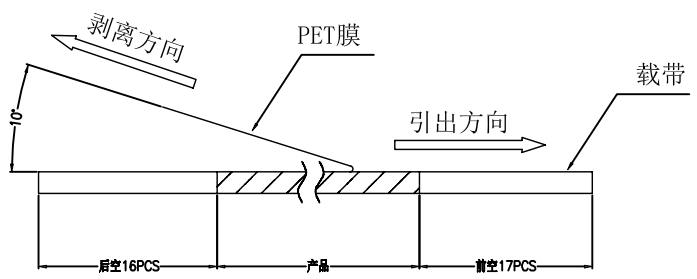
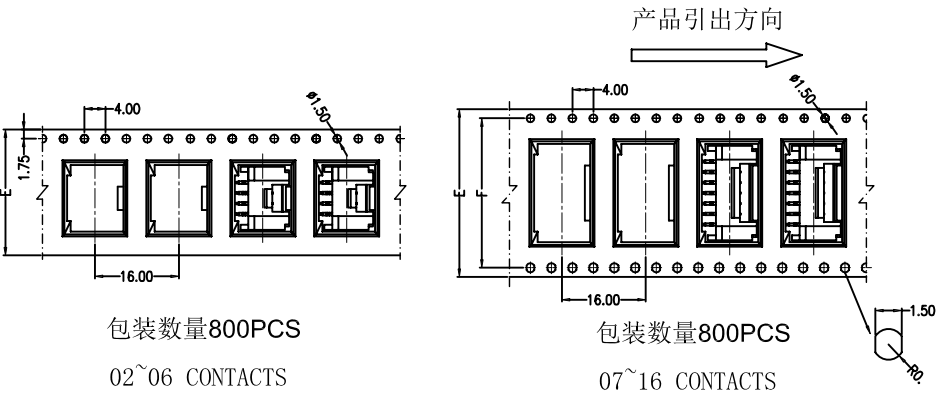
P. C. B LAYOUT

**CNJM** Joint More Precision electronics Co.,Ltd.

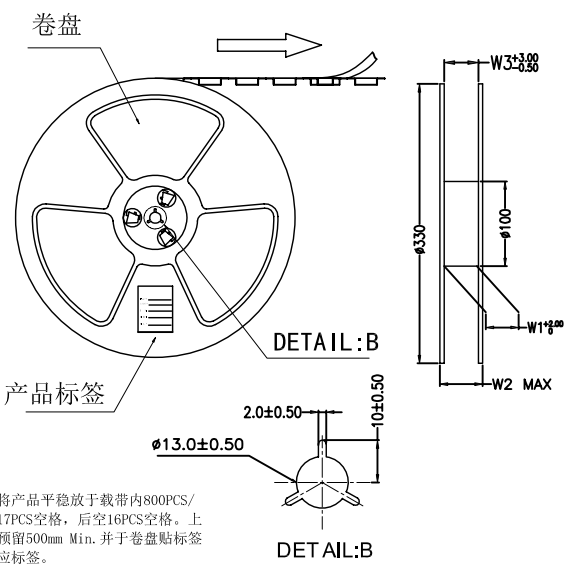
DRAW NO.		DATE	P/N NO.	DRAW NAME:
DESIGN:	陈雪峰	2017.06.03	A2008WV-S-NP	2.0mm ptich wafer
CHECK:	杨 焯			
REVIEW:			REV. A/1	SCALE 1:1
			UNIT: mm	SHEET: 1 OF 1

DIM	TOL	DIM	TOL
X.	/	X*	/
X.X	0.25	X.X*	
X.XX	0.15	X.XX*	
X.XXX	0.10	X.XXX*	/

REV:	ECN NO.	DESCRIPTION	DATE	DESIGN
A				

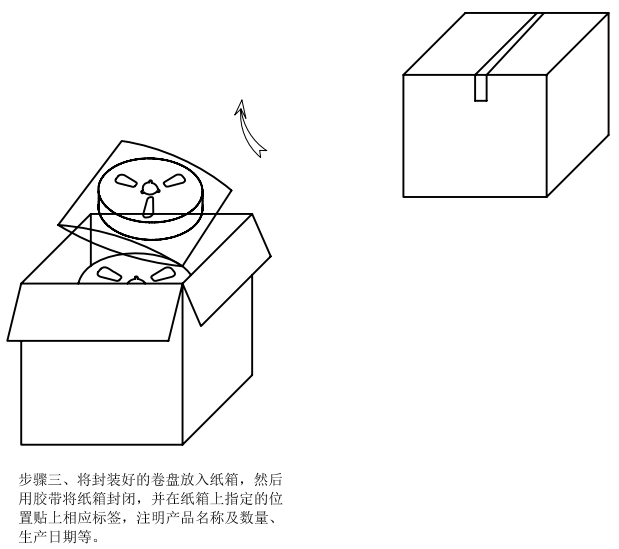


(PET膜剥离强度: 20g~50g)



步骤一、将产品平稳放于载带内800PCS/卷，前空17PCS空格，后空16PCS空格。上带最后需预留500mm Min.并于卷盘贴标签处贴上相应标签。

步骤二、在卷盘表层增加一层保护带，并在卷盘四周贴上美纹带，再套上1PCS高密度PE袋，包装好后，需在包装卷盘上贴上产品标签，注明产品名称及数量等。



Circuits	Dimensions (mm)					Packing (Reel/Caton)
	E	F	W1	W2	W3	
02P-03P	16.00	-	16.50	22.50	16.50	20
04P-06P	24.00	-	24.50	30.50	24.50	15
07P	32.00	28.40	32.50	38.50	32.50	11
08P-14P	44.00	40.40	44.50	50.50	44.50	8
15P-16P	56.00	52.40	56.50	62.50	56.50	

DIM	TOL	DIM	TOL
X.	/	X*	/
X.X	0.25	X.X*	/
X.XX	0.15	X.XX*	/
X.XXX	0.10	X.XXX*	/

**CNJM** Joint More Precision electronics Co.,Ltd.

DRAW NO.	DATE	P/N NO.	DRAW NAME:
DESIGN: 陈雪峰	2017.06.03	A2008WR-S-NP	YH2.0 90° SMT卷装图
CHECK: 杨焯			
REVIEW:		REV.A/1	SCALE 1:1
		UNIT: mm	SHEET: 1 OF 1